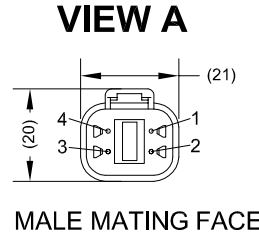
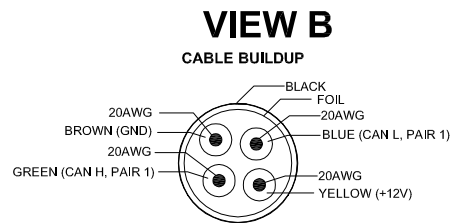


**FOR ASSEMBLY ON
VIEW B CABLE END**

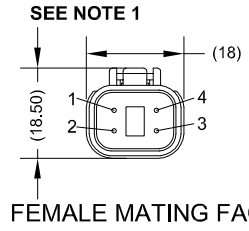
Revision Notes.				
-				
APA: -	Drawn:-	Checked:-	Approved:-	Date: -



PIN	WIRE COLOUR	DESCRIPTION
1	BROWN	GND
2	GREEN	CAN HIGH (PAIR 1)
3	YELLOW	+12V
4	BLUE	CAN LOW (PAIR 1)

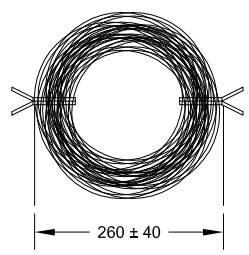
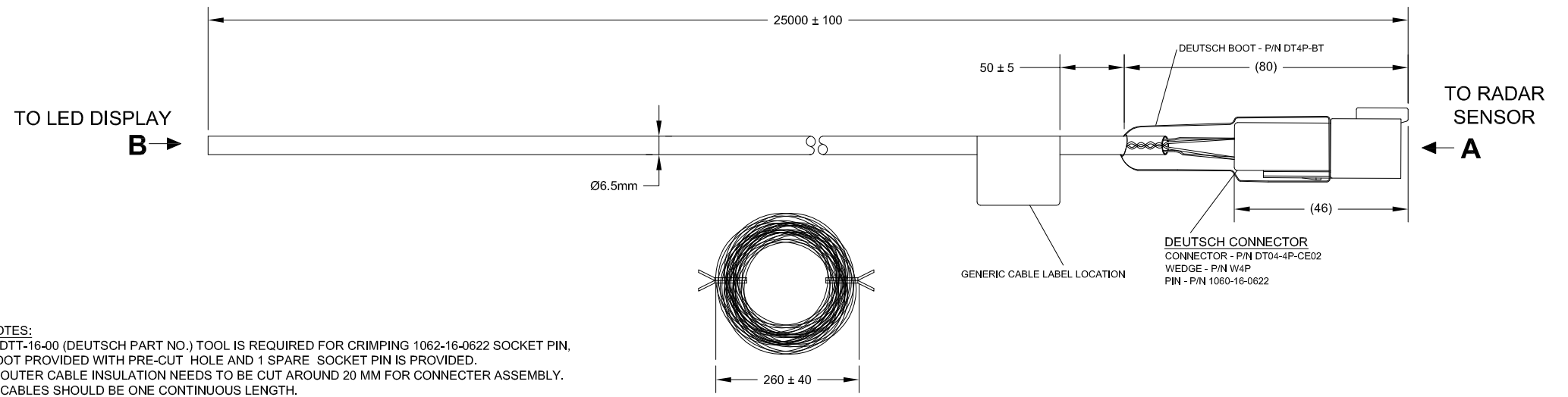


PIN	WIRE COLOUR	DESCRIPTION
1	BROWN	GND
2	GREEN	CAN HIGH (PAIR 1)
3	YELLOW	+12V
4	BLUE	CAN LOW (PAIR 1)



**FEMALE DEUTSCH CONNECTOR
PARTS TO BE SUPPLIED WITH CABLE**

ITEM	DEUTSCH PART NO.	QTY	DESCRIPTION
①	DT06-4S-CE06	1	SOCKET HOUSING
②	W4S-P012	1	SOCKET WEDGE
③	1062-16-0622	5	SOCKET PIN
④	DT4S-BT	1	BOOT SOCKET



NOTES:

1. DTT-16-00 (DEUTSCH PART NO.) TOOL IS REQUIRED FOR CRIMPING 1062-16-0622 SOCKET PIN, BOOT PROVIDED WITH PRE-CUT HOLE AND 1 SPARE SOCKET PIN IS PROVIDED.
2. OUTER CABLE INSULATION NEEDS TO BE CUT AROUND 20 MM FOR CONNECTER ASSEMBLY.
3. CABLES SHOULD BE ONE CONTINUOUS LENGTH.
4. CONNECTORS SUPPLIED SHOULD BE BLACK.
5. FOR GENERIC CABLE LABEL DETAIL REFER TO LATEST REVISION OF DRAWING BE-002779-XX-13.
6. BLUE (CAN LOW) AND GREEN (CAN HIGH) WIRES ARE TWISTED TOGETHER.
7. TWISTED PAIR TWIST RATE IS 1 TURN PER 50-55MM.
8. BOOTS HAVE TIGHT FIT ON THE CABLE, BOOT MATERIAL STRETCHES TO CLAMP BY TENSION ON THE CABLE.
9. THE OUTSIDE CABLE INSULATION MUST END MINIMUM 20MM WITHIN THE BOOT.
10. CABLE WILL BE PROVIDED IN CLEAR PLASTIC BAGS WITH GIFTBOX LABEL.
11. FOR GENERIC GIFTBOX LABEL DETAIL REFER TO LATEST REVISION OF DRAWING BE-002789-XX-13.
12. FEMALE DEUTSH CONNECTOR PARTS (SEE TABLE ABOVE) TO BE SUPPLIED IN SMALL CLEAR PLASTIC BAG WITHIN THE CABLE BAG.
13. USER TO ASSEMBLE THE FEMALE DEUTSH CONNECTOR PARTS AFTER CUTTING SUITABLE LENGTH OF CABLE.
14. IF CONNECTOR IS NOT ASSEMBLED PROPERLY CAUSING SUBSEQUENT FAILURE IS NOT A LIABILITY OF BRIGADE ELECTRONICS.

PROPRIETARY NOTICE

THIS DESIGN AND TECHNICAL INFORMATION APPEARING ON THIS DRAWING IS THE PROPERTY OF BRIGADE ELECTRONICS, AND IS DISCLOSED IN CONFIDENCE. IT IS NOT TO BE COPIED, REPRODUCED, REVEALED TO OR EXPROPRIATED BY OTHERS, EITHER IN WHOLE OR IN PART WITHOUT THE EXPRESS WRITTEN CONSENT OF BRIGADE ELECTRONICS.



Assembly Pl Approval Jia Wei	Approved by B.John	Checked by B.Childs	Drawn by L.BRAR
Angle of Projection Third Angle	Units mm	Scale N/A	Released 22/10/15
Status RELEASED		Assembly Ref 1MNJ-A1291	
Part No 4975		BS-25DCSX BE-003226-00-15	