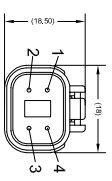


Revision Notes			
R1 - DIMENSION CORRECTED FROM 5000.25 TO 5100.50 AS PER 0178.L DRAWING FRAME CORRECTED TO LATEST VERSION.			
AP.A: JIA WEI	Drawn: WBEAZLEY	Checked: REPENTLEY	Approved: WALLIN Date: 06/06/2016
R2 - GENERIC CABLE LABEL DRAWING NUMBER CORRECTED FROM BE-002779 TO BE-002779 AS PER 01938			
AP.A: H WANG 06/02/17	Drawn: WBEAZLEY	Checked: REPENTLEY	Approved: WALLIN Date: 09/01/2017

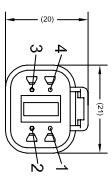
VIEW A



FEMALE MATING FACE

PIN	WIRE COLOUR	DESCRIPTION
1	BROWN	GND
2	GREEN	CAN HIGH (PAIR 1)
3	YELLOW	+12V
4	BLUE	CAN LOW (PAIR 1)

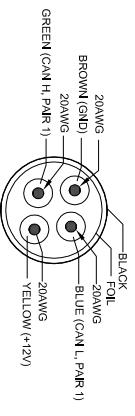
VIEW B



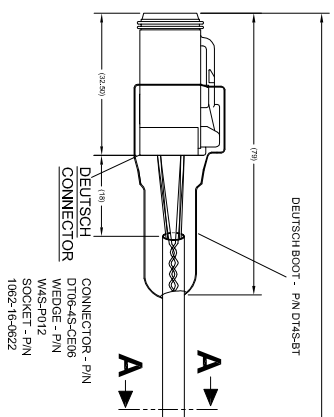
MALE MATING FACE

PIN	WIRE COLOUR	DESCRIPTION
1	BROWN	GND
2	GREEN	CAN HIGH (PAIR 1)
3	YELLOW	+12V
4	BLUE	CAN LOW (PAIR 1)

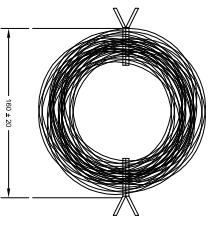
VIEW A-A
CABLE BUILDUP



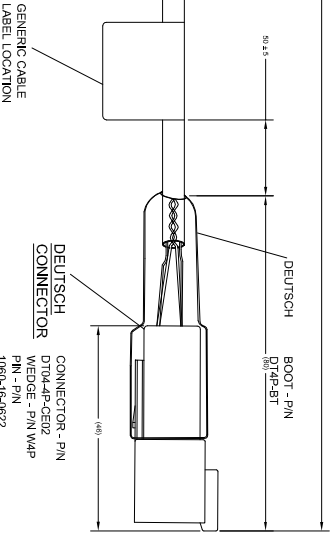
TO LED DISPLAY
A →



A →



TO RADAR
SENSOR
B →

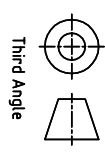


- NOTES:**
1. CABLES SHOULD BE ONE CONTINUOUS LENGTH BETWEEN CONNECTORS.
 2. CONNECTORS SHOULD BE BLACK.
 3. FOR GENERIC CABLE LABEL DETAIL REFER TO LATEST REVISION OF DRAWING BE-002779-XX-13.
 4. BLUE (CAN LOW) AND GREEN (CAN HIGH) WIRES ARE TWISTED TOGETHER.
 5. TWISTED PAIR TWIST RATE IS 1 TURN PER 50-55MM.
 6. BOOT'S HAVE TIGHT FIT ON THE CABLE. BOOT MATERIAL STRETCHES TO CLAMP BY TENSION ON THE CABLE.
 7. THE OUTSIDE CABLE INSULATION MUST END MINIMUM 20MM WITHIN THE BOOT.
 8. CABLE PROVIDED WITH SYSTEM WILL BE PACKED IN LED DISPLAY PACKING BOX.
 9. SPARE CABLE WILL BE PROVIDED IN CLEAR PLASTIC BAGS.
 10. ANY CUSTOMER MODIFICATION OF THIS PRODUCT CAUSING SUBSEQUENT FAILURE IS NOT A LIABILITY OF BRIGADE ELECTRONICS PLC.

PROPRIETARY NOTICE

THIS DESIGN AND TECHNICAL INFORMATION APPEARING ON THIS DRAWING IS THE PROPERTY OF BRIGADE ELECTRONICS, AND IS DISCLOSED IN CONFIDENCE. IT IS NOT TO BE COPIED, REPRODUCED, REVEALED TO OR EXPLOITED BY OTHERS, EITHER IN WHOLE OR IN PART WITHOUT THE EXPRESS WRITTEN CONSENT OF BRIGADE ELECTRONICS.

BRIGADE
www.brigade-electronics.com



Assembly Pl Approval		Approved by		Checked by		Drawn by	
S.MATTHEWS		S.MATTHEWS		R.BATES		L.BRAR	
Units	mm	Scale	N/A	Released	15/01/14	Assembly Ref	IMND-006596
Status	RELEASED	BS-05DCX					
Part No	4550	BE-002777-02-13					