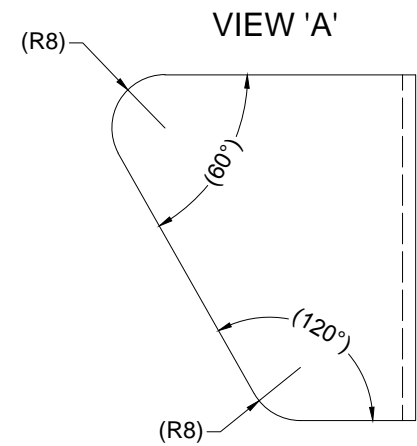
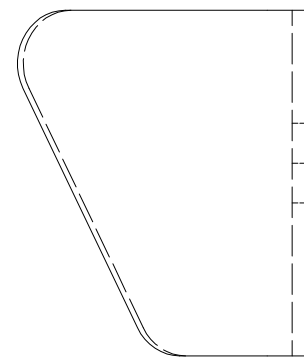
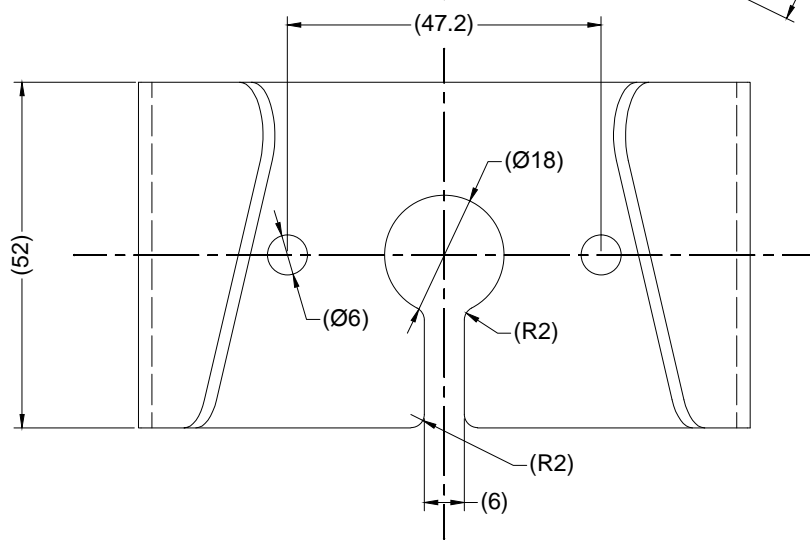
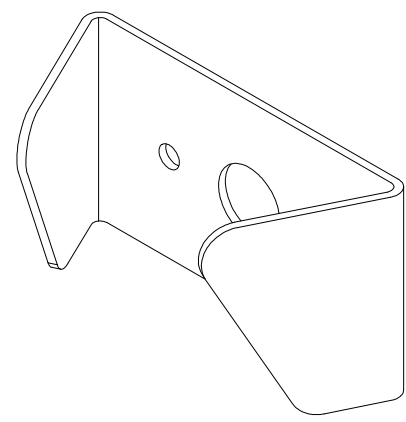
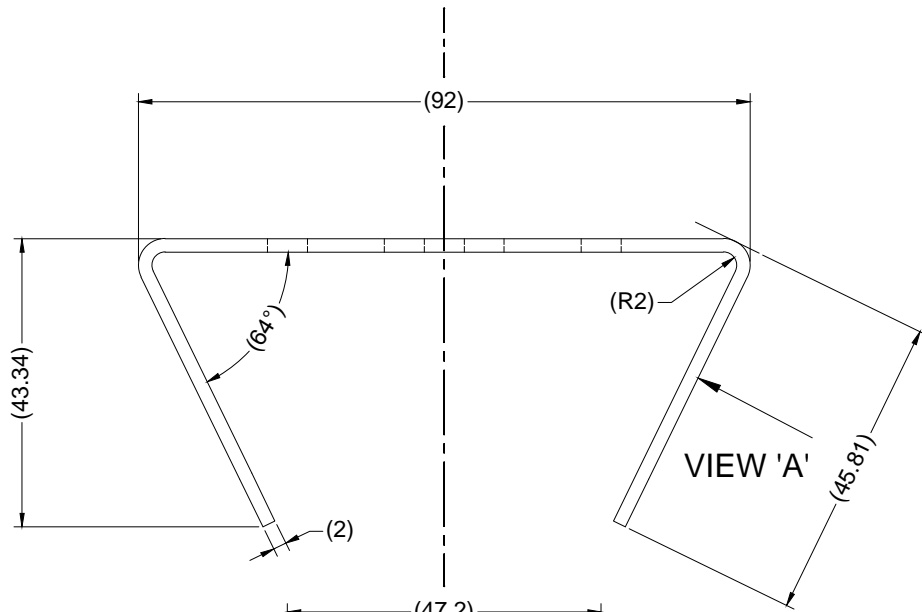


Revision Notes.				
R1 -				
APA: -	Drawn:-	Checked:-	Approved:-	Date: -



- NOTES:  
 1. FINISH: NATURAL  
 2. MATERIAL: 2MM THICK 4003 STAINLESS STEEL  
 3. EDGES TO BE DE-BURRED.

**PROPRIETARY NOTICE**  
 THIS DESIGN AND TECHNICAL INFORMATION APPEARING ON THIS DRAWING IS THE PROPERTY OF BRIGADE ELECTRONICS, AND IS DISCLOSED IN CONFIDENCE. IT IS NOT TO BE COPIED, REPRODUCED, REVEALED TO OR EXPROPRIATED BY OTHERS, EITHER IN WHOLE OR IN PART WITHOUT THE EXPRESS WRITTEN CONSENT OF BRIGADE ELECTRONICS.



Assembly PI Approval K.MCLELLAN 19/08/14		Approved by B.CHILDS		Checked by R.BATES		Drawn by P.MISSEN	
Angle of Projection 		Units mm	Scale N/A	Released 19/08/14	Assembly Ref -		
Third Angle		Status RELEASED	BN360-100C-BKT03				
		Part No 4743	BE-002933-00-14				