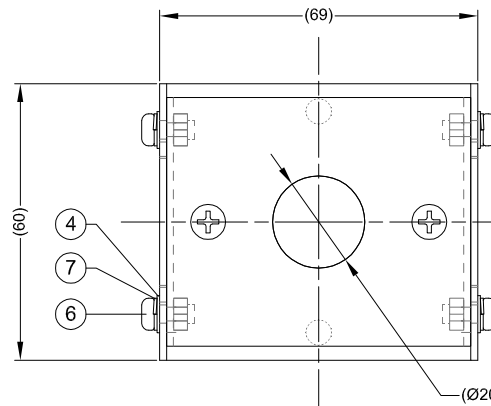
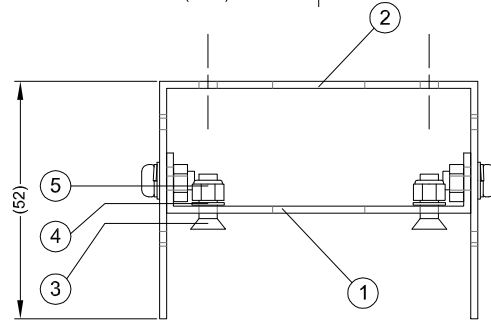
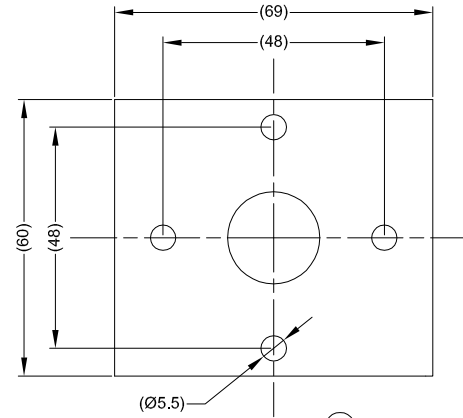
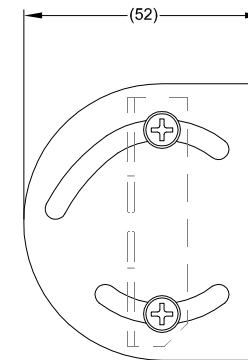


ITEM	PART NO	QTY	MODEL / DESCRIPTION
①	(4700)	1	BN360-100C-BKT02A - BRACKET FRONT
②	(4713)	1	BN360-100C-BKT02B - BRACKET REAR
③	N/A	2	M12X4 STAINLESS STEEL CSK SCREW
④	N/A	6	M4 STAINLESS STEEL PLAIN WASHER
⑤	N/A	2	M4 STAINLESS STEEL NYLOC NUT
⑥	N/A	4	M4X10 STAINLESS STEEL PAN HEAD SCREW
⑦	N/A	4	M4 STAINLESS STEEL SPRING WASHER



Revision Notes.				
R1 -				
APA: -	Drawn:-	Checked:-	Approved:-	Date: -

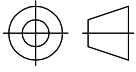


- NOTES:
 1. MATERIAL: 1.5MM (16SWG) 4003 STAINLESS STEEL.
 2. FINISH: NATURAL.
 3. SUPPLIED WITH FIXINGS LOOSELY FITTED.
 4. REFER TO COMPONENT DRAWINGS FOR COMPONENT DETAIL.

PROPRIETARY NOTICE

THIS DESIGN AND TECHNICAL INFORMATION APPEARING ON THIS DRAWING IS THE PROPERTY OF BRIGADE ELECTRONICS, AND IS DISCLOSED IN CONFIDENCE. IT IS NOT TO BE COPIED, REPRODUCED, REVEALED TO OR EXPROPRIATED BY OTHERS, EITHER IN WHOLE OR IN PART WITHOUT THE EXPRESS WRITTEN CONSENT OF BRIGADE ELECTRONICS.

BRIGADE®
 www.brigade-electronics.com

Assembly Pl Approval JOHN MILLER 11/06/14	Approved by B.CHILDS	Checked by R.BATES	Drawn by P.MISSEN
Angle of Projection 	Units mm	Scale N/A	Released 18/06/14
	Status RELEASED	Assembly Ref -	
	Part No 4714	BN360-100C-BKT02C BE-002906-00-14	