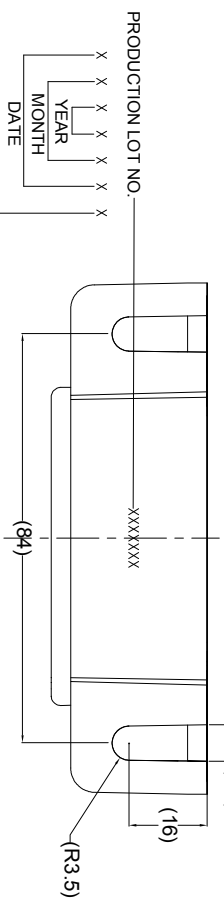
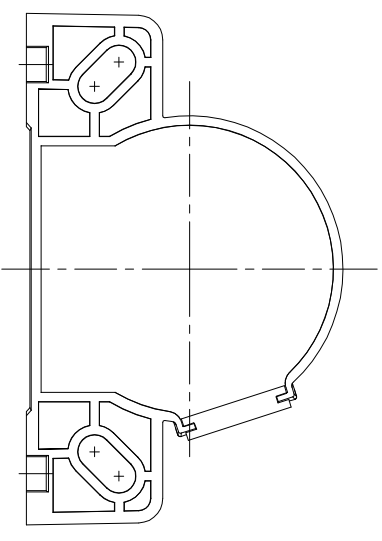
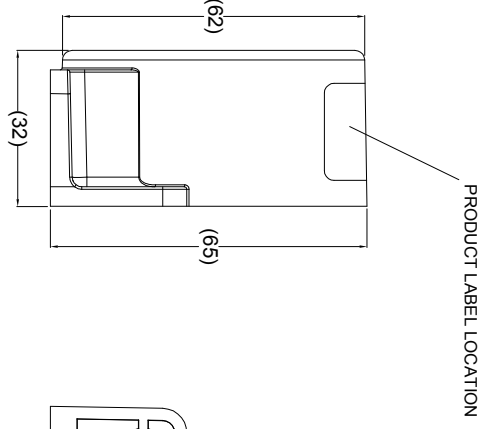
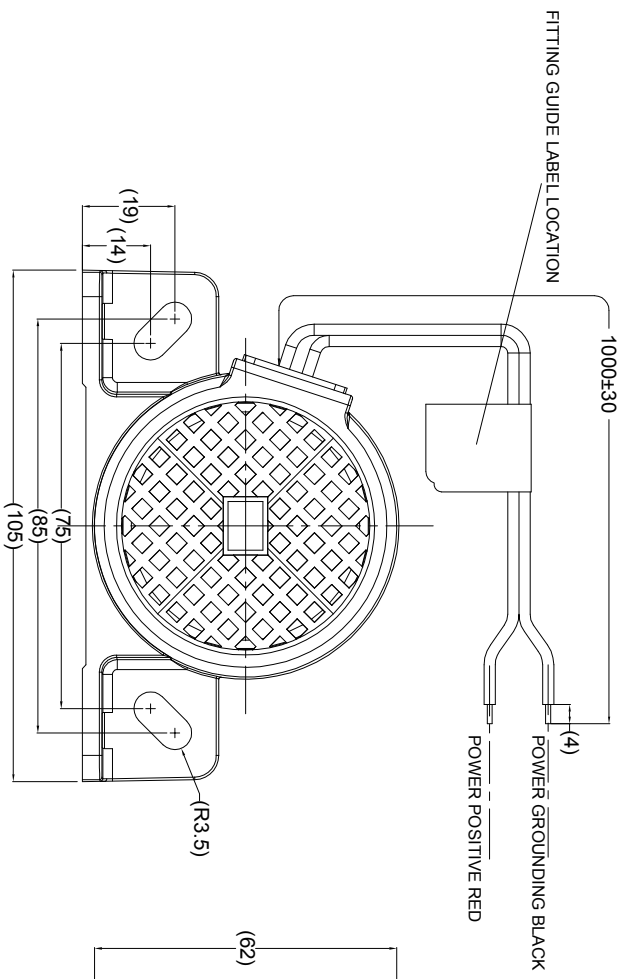


Revision Notes			
R1 - NOTES UPDATED TO INCLUDE LABEL DETAIL S. STANDARDS UPDATED AS PER ECR CR-A27L.			
APPA-KIDA	Drawn/BATES	Checked/MILUTER	Approved/GPLITH
			Date: 28/08/14



- SPECIFICATION:**
1. RATED VOLTAGE: 12 AND 24 VOLT DIRECT CURRENT (WORKING VOLTAGE RANGE 9-32 VOLTS)
 2. RATED CURRENT: 0.2 AMPERES OR LESS.
 3. SOUND PRESSURE: 87±4 DECIBELS AT TEST VOLTAGE OF 14 AND 28 VOLTS (AS MEASURED AT DISTANCE OF 1.2M AND AT HEIGHT OF 1.2M ABOVE THE GROUND)
 4. INTERMITTENCE: 80±10 CYCLES PER MINUTE AT TEST VOLTAGE OF 14 AND 28 VOLTS.
 5. TONE: WHITE SOUND(BBS).
 6. ENVIRONMENTAL: SUBJECT TO SAE J994.

- NOTES:**
1. FOR PRODUCT LABEL REFER TO LATEST REVISION OF DRAWING BE-002833-XX-14.
 2. FOR GIFTBOX LABEL REFER TO LATEST REVISION OF DRAWING BE-002834-XX-14.
 3. "R TRIANGLE" INDICATES CHANGES MADE TO CURRENT REVISION AS IDENTIFIED IN REVISION NOTES.



PROPRIETARY NOTICE
 THIS DESIGN AND TECHNICAL INFORMATION APPEARING ON THIS DRAWING IS THE PROPERTY OF BRIGADE ELECTRONICS AND IS DISCLOSED IN CONFIDENCE. IT IS NOT TO BE COPIED, REPRODUCED, REVEALED TO OR EXPLOITED BY OTHERS, EITHER IN WHOLE OR IN PART WITHOUT THE EXPRESS WRITTEN CONSENT OF BRIGADE ELECTRONICS.

BRIGADE
 www.brigade-electronics.com

 Third Angle	Assembly PI Approval KILDA 26/02/13	Approved by SMAITHENS	Checked by GPLITH	Drawn by RBATES
	Angle of Projection	Units mm	Scale N/A	Released 27/02/13
Status RELEASED	Part No 0897B	BBS-87	Assembly Ref -	BE-002319-01-13