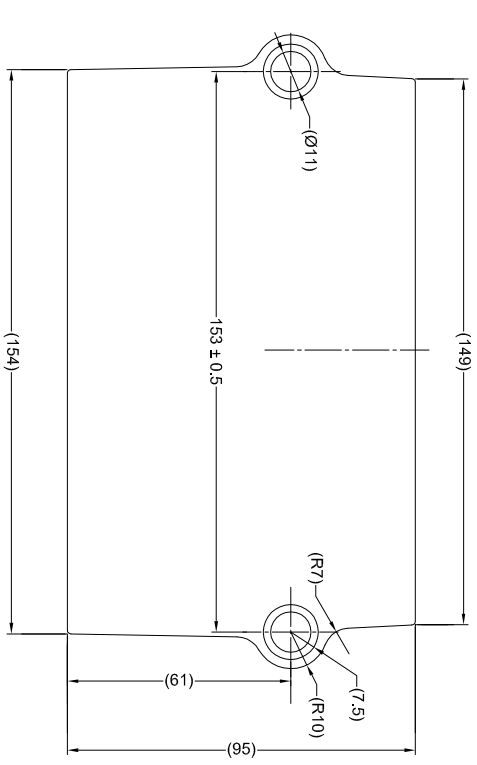
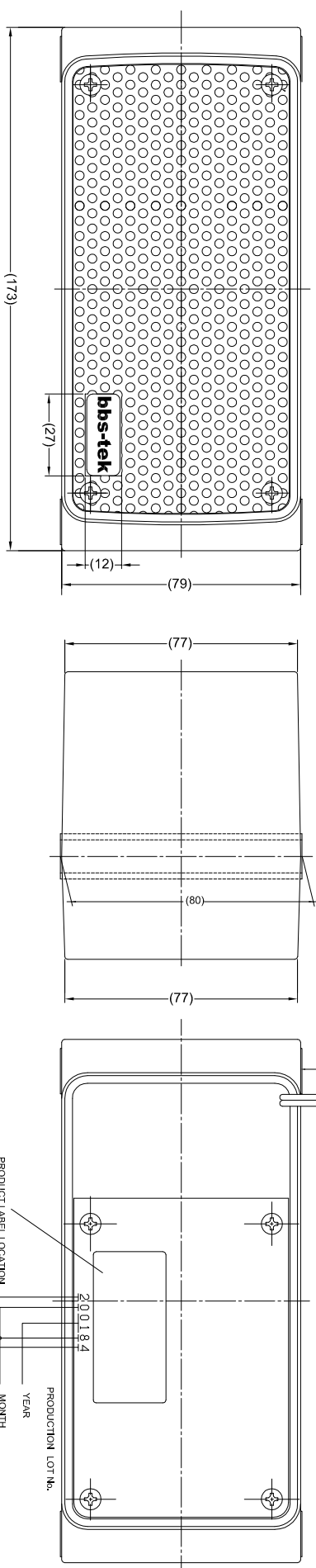


Revision Notes			
R1 - VOLTAGE RANGE UPDATED TO THE CORRECT VOLTAGE RANGE.	Drawn: MBUTLER	Checked: DKERAI	Approved: PHA
APA: -	Drawn: MBUTLER	Checked: DKERAI	Date: 13/05/09
R2 - NOTES UPDATED TO INCLUDE LABEL DETAILS. STANDARDS UPDATED AS PER ECR CR-A274.	Drawn: RBATES	Checked: MBUTLER	Approved: GPLTH
APA: KIDA	Drawn: RBATES	Checked: MBUTLER	Date: 28/08/14
R3 - SOUND PRESSURE CORRECTED FROM 107 DECIBELS TO 107 ± 4 DECIBELS AS PER Q1799 DIMENSION CORRECTED FROM (172) TO (173)	Drawn: WBEAZLEY	Checked: REPENTLEY	Approved: DWALLIN
APA: MWATANABE	Drawn: WBEAZLEY	Checked: REPENTLEY	Date: 06/04/16



- SPECIFICATION:**
- 1) RATED VOLTAGE: 12/24 VOLTS DIRECT CURRENT
  - 2) RATED CURRENT: 1 AMPERES OR LESS AT RATED VOLTAGES OF 24 VOLTS
  - 3) SOUND PRESSURE: 107 ± 4 DECIBELS AT RATED VOLTAGE OF 24 VOLTS (AS MEASURED AT A DISTANCE OF 1.2 METERS AND AT A HEIGHT OF 1.2 METERS ABOVE THE GROUND)
  - 4) INTERMITTENCE: 90±10 CYCLES PER MINUTE AT RATED VOLTAGES OF 24 VOLTS
  - 5) TONE: WHITE SOUND.

- NOTES:**
1. FOR PRODUCT LABEL, REFER TO LATEST REVISION OF DRAWING: BE-002833-XX-14.
  2. FOR GIFTBOX LABEL, REFER TO LATEST REVISION OF DRAWING: BE-002834-XX-14.
  3. 'R' TRIANGLE INDICATES CHANGES MADE TO REVISION OF DRAWING AS IDENTIFIED IN REVISION NOTES.

**PROPRIETARY NOTICE**

THIS DESIGN AND TECHNICAL INFORMATION APPEARING ON THIS DRAWING IS THE PROPERTY OF BRIGADE ELECTRONICS, AND IS DISCLOSED IN CONFIDENCE. IT IS NOT TO BE COPIED, REPRODUCED, REVEALED TO OR EXPROPRIATED BY OTHERS, EITHER IN WHOLE OR IN PART WITHOUT THE EXPRESS WRITTEN CONSENT OF BRIGADE ELECTRONICS.



 Third Angle	Assembly Pl Approval M.WATANABE 06/04/16	Approved by DKERAI	Checked by DKERAI	Drawn by BKHEZR
	Angle of Projection	Units mm	Scale N/A	Released 22/06/04
Status RELEASED	Part No 0899	BBS-107		
		BE-000176-03-04		