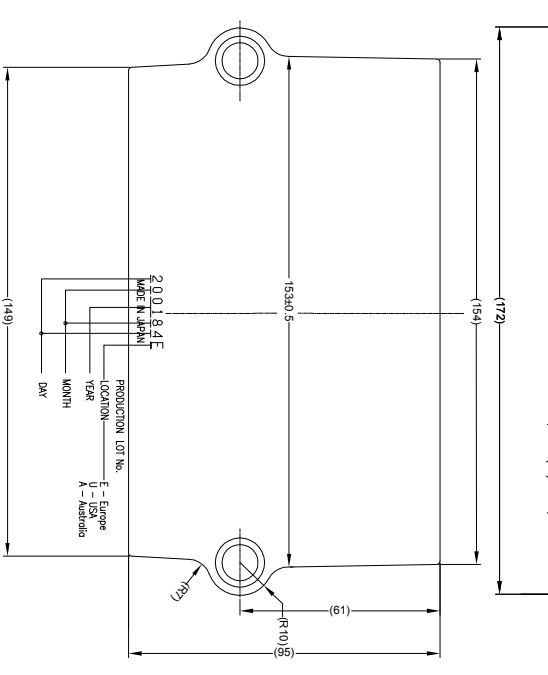
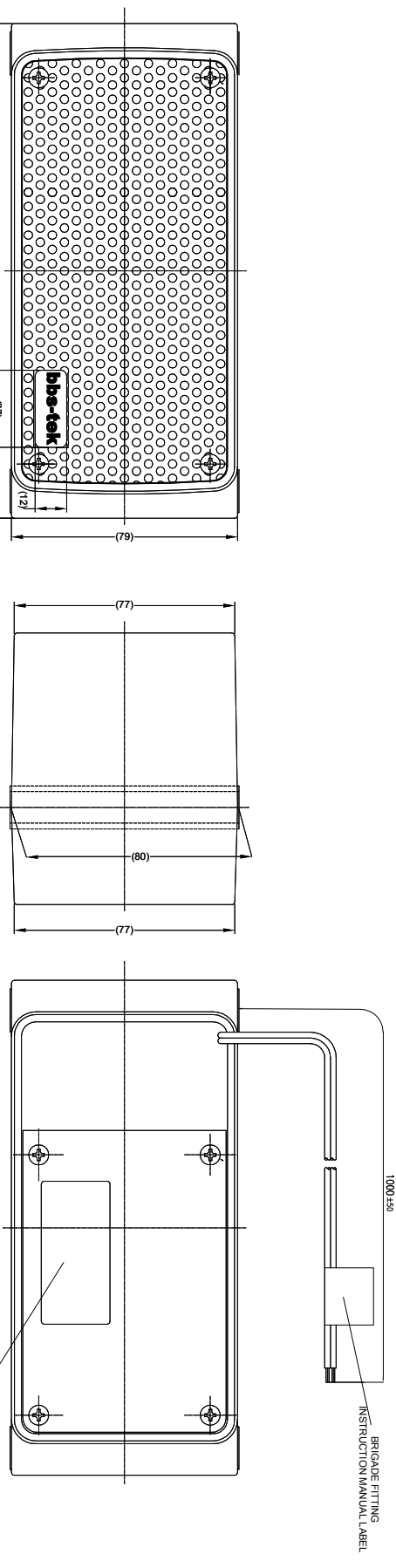


Revision Notes			
R1 - VOLTAGE RANGE UPDATED TO THE CORRECT RANGE.			
APA: -	Drawn: -	Checked: -	Approved: -
APA: -	Drawn: RBATES	Checked: G.PLTH	Approved: B.JOHN
APA: KIIIDA	Drawn: RBATES	Checked: G.PLTH	Approved: B.JOHN
APA: KIIIDA	Drawn: RBATES	Checked: M.BUTLER	Approved: G.PLTH
APA: KIIIDA	Drawn: RBATES	Checked: M.BUTLER	Approved: G.PLTH
APA: KIIIDA	Drawn: RBATES	Checked: M.BUTLER	Approved: G.PLTH



- SPECIFICATION:**
- 1) RATED VOLTAGE: 12/24 VOLTS DIRECT CURRENT (WORKING VOLTAGE RANGE 9-32 VOLTS)
 - 2) RATED CURRENT: 1 AMPERES OR LESS AT RATED VOLTAGE OF 24 VOLTS.
 - 3) SOUND PRESSURE: 102±4 DBAT RATED VOLTAGE OF 14/28 VOLTS (AS MEASURED AT A DISTANCE OF 1.2 METERS HEIGHT OF 1.2 METERS ABOVE THE GROUND)
 - 4) INTERMITTENCE: 80±10 CYCLES PER MINUTE AT RATED VOLTAGES OF 14/28 VOLTS.
 - 5) TONE: WHITE SOUND
 - 6) ENVIRONMENTAL TESTED TO SAEJ994.

NOTES:

1. FOR PRODUCT LABEL REFER TO LATEST REVISION OF DRAWING: BE-002833-XX-14.
2. FOR GIFTBOX LABEL REFER TO LATEST REVISION OF DRAWING: BE-002834-XX-14.
3. 'R' TRIANGLE INDICATES CHANGES MADE TO REVISION OF DRAWING AS IDENTIFIED IN REVISION NOTES.

PROPRIETARY NOTICE

THIS DESIGN AND TECHNICAL INFORMATION APPEARING ON THIS DRAWING IS THE PROPERTY OF BRIGADE ELECTRONICS, AND IS DISCLOSED IN CONFIDENCE. IT IS NOT TO BE COPIED, REPRODUCED, REVEALED TO OR EXPLOITED BY OTHERS, EITHER IN WHOLE OR IN PART WITHOUT THE EXPRESS WRITTEN CONSENT OF BRIGADE ELECTRONICS.

BRIGADE®
www.brigade-electronics.com

 Third Angle	Assembly PI Approval KIIIDA		Approved by -	Checked by D.KERAI	Drawn by B.KHEZR
	Angle of Projection	Units mm	Scale N/A	Released 00/00/00	Assembly Ref -
Status RELEASED		BBS-102			
Part No 0898	BE-000175-03-04				